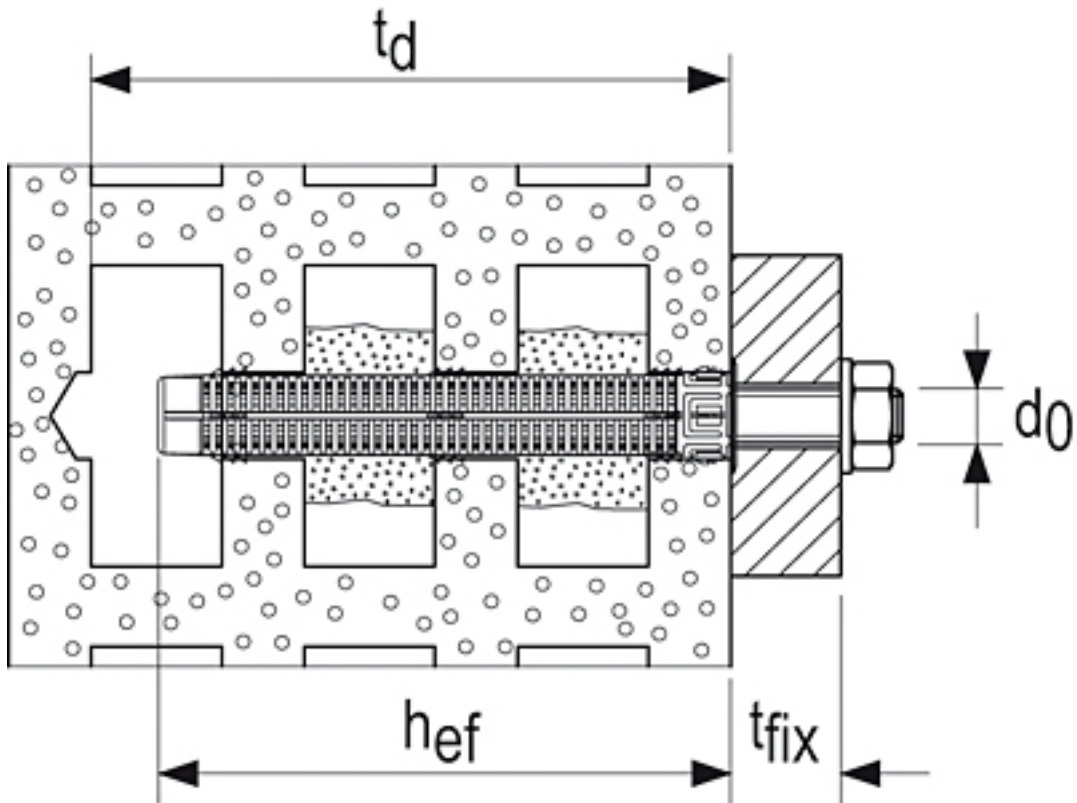


# Injectiehuls FIS H K



## Technische gegevens



| Type            | Art.-Nr. | <span style="color: blue;">■</span> ETA<br><span style="color: red;">●</span> DIBt | Boor-Ø<br>$d_o$<br>[mm] | Min. boorgatdiepte<br>$t_d$<br>[mm] | Min. verankeringsdiepte<br>$h_{ef}$<br>[mm] | Mortelhoeveelheid | Passend bij                | Anker per 360 ml<br>koker | Verpakkingseenhei<br>d<br>[Stuks] | Overdoos<br>[Stuks] |
|-----------------|----------|--|-------------------------|-------------------------------------|---|-------------------|----------------------------|---------------------------|-----------------------------------|---------------------|
| FIS H 12 x 50 K | 041900   | -  | 12                      | 60                                  | 50  | 5                 | FIS A M6-M8, FIS<br>EK 5-6 | 34                        | 50                                | 50                  |
| FIS H 12 x 85 K | 041901   | -  | 12                      | 95                                  | 85  | 10                | FIS A M6-M8, FIS<br>EK 5-6 | 17                        | 50                                | 50                  |

| Type                            | Art.-Nr. | <div style="display: flex; align-items: center; gap: 5px;"> <span style="color: blue;">■</span> ETA           <span style="color: red;">●</span> DIBt         </div> | Boor-Ø<br>d <sub>o</sub><br>[mm] | Min. boorgatdiepte<br>t <sub>d</sub><br>[mm] | Min. verankeringsdiepte<br>h <sub>ef</sub><br>[mm] | Mortelhoeveelheid | Passend bij  | Anker per 360 ml<br>koker | Verpakkingseenhei<br>d<br>[Stuks] | Overdoos<br>[Stuks] |
|---------------------------------|----------|--|----------------------------------|--|--|-------------------|--|---------------------------|-----------------------------------|---------------------|
| FIS H 16 x 85 K                 | 041902   | -  | 16                               | 95   | 85   | 12                | FIS A M8-M10, FIS EK 8-10, FIS E M6-M8, verjongde draadstang M12 | 14                        | 50                                | 50                  |
| FIS H 16 x 130 K                | 041903   | -  | 16                               | 140  | 130  | 15                | -  | 11                        | 20                                | 20                  |
| FIS H 20 x 85 K                 | 041904   | -  | 20                               | 95   | 85   | 15                | FIS A M12-M16, FIS E M10-M12                                     | 11                        | 20                                | 20                  |
| FIS H 20 x 130 K                | 046703   | -  | 20                               | 140  | 130  | 25                | FIS A M12-M16, FIS E M10-M12                                     | 7                         | 20                                | 20                  |
| FIS H 20 x 200 K                | 046704   | -  | 20                               | 210  | 200  | 40                | FIS A M12-M16, FIS E M10-M12                                     | 4                         | 20                                | 20                  |
| FIS Set 22 x 130/200 M16/200 A4 | 047454   | -  | 22                               | -  | 130  | -                 | M16 RVS A4, set  | -                         | 5                                 | 5                   |
| FIS Set 22 x 130/200 M16/200    | 047453   | -  | 22                               | -  | 130  | -                 | M16 set  | -                         | 5                                 | 5                   |
| FIS Set 18 x 130/200 M12/200 A4 | 047452   | -  | 18                               | -  | 130  | -                 | M12 RVS A4, set  | -                         | 5                                 | 5                   |
| FIS Set 18 x 130/200 M12/200    | 047443   | -  | 18                               | -  | 130  | -                 | M12 set  | -                         | 5                                 | 5                   |