

## Doorsteekanker FAZ / FAZ II



### Gebruik

#### Goedgekeurd voor:

- Gescheurd en ongescheurd beton C20/25 tot C50/60 (B25/B55)

#### Tevens geschikt voor:

- Beton C12/15 (B15)
- Natuursteen met hoge dichtheid

#### Ter bevestiging van:

- Stalen constructies
- Railingen
- Consoles
- Ladders
- Kabelgoten
- Machines

- Trappen
- Hekwerk
- Gevelsystemen
- Houten constructies

### Omschrijving

- Ankerbout voor door- en voorsteekmontage.
- Wanneer de moer wordt aangedraaid, wordt de conus in de expansieclip getrokken welke zich vervolgens tegen de boorwand klemt.
- De FAZ II A4 gemaakt van roestvast staal met corrosieweerstandsklasse III, voor toepassingen buitenshuis en onder vochtige condities. Hoog corrosiewerend staal C, corrosieweerstandsklasse IV voor toepassingen in hoog corrosieve omgevingen.
- FAZ II-GS met grote voorgemonteerde onderlegging voor de bevestiging in een slobgat.

### **Voordelen**

- Geoptimaliseerde expansieclip garandeert uniforme krachtenafdracht voor hoge toelaatbare belastingen en korte h.o.h.- en randafstanden van constructieve elementen, evenals veilige uitzetting, zelfs in gescheurd beton.
- Zeer gemakkelijke en snelle montage, er zijn slechts een paar slagen nodig om het gewenste aandraaimoment te verkrijgen.

### Montage voorbeeld





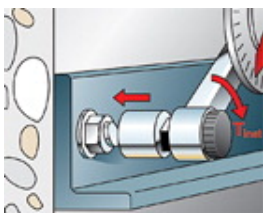
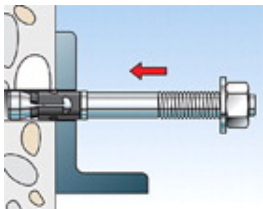
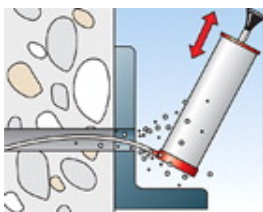
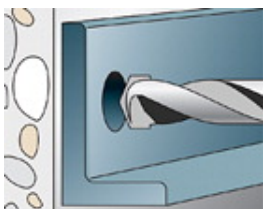
## Montage

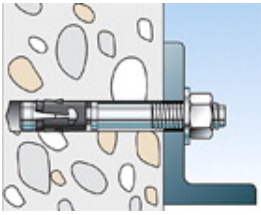
### Type van montage

- Voorsteek- en doorsteekmontage

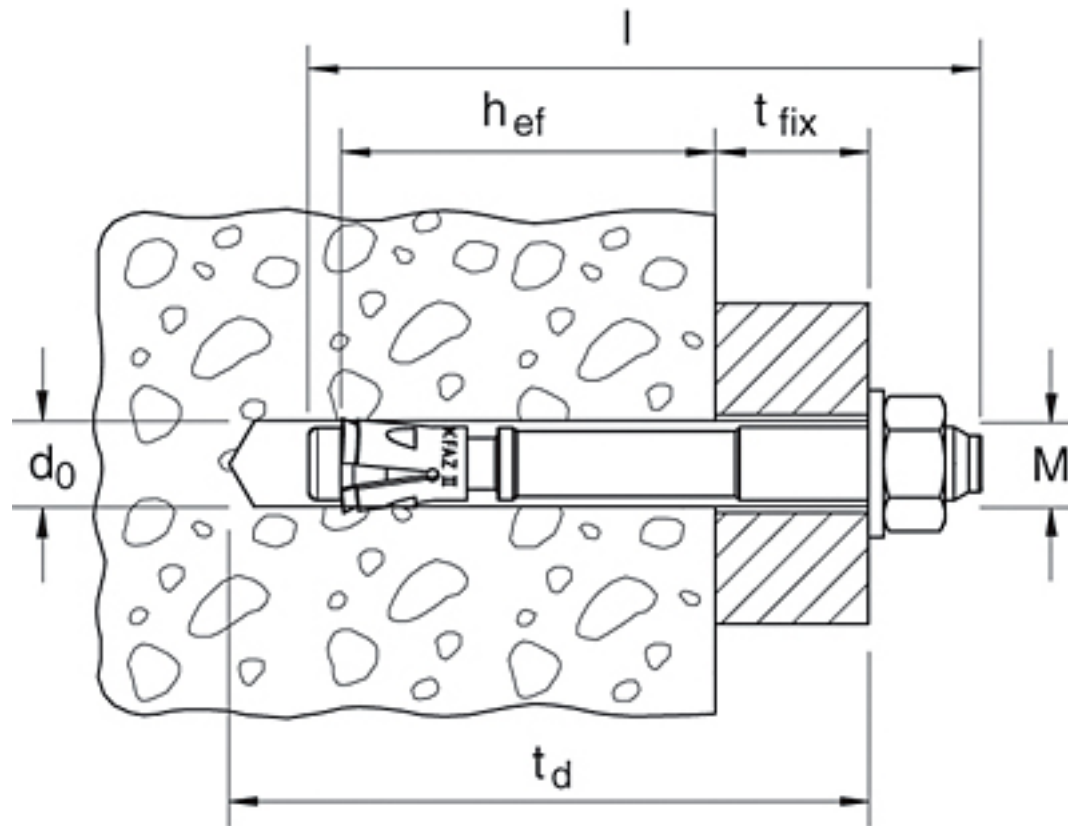
### Montage tips

- Voor seriemontage bevelen wij het machinale montagehulpstuk FABS aan ter vermindering van de montagetijd.
- Voor montage, dient de moer in de juiste positie gebracht te worden (de bout steekt 2-3 mm uit).





Technische gegevens



Elektrolytisch verzinkt

| Type        | Art.-Nr. | <input type="checkbox"/> ETA<br><input type="checkbox"/> DIBt | Markering in kop | Boor-Ø<br>d <sub>0</sub><br>[mm] | Min. boorgatdiepte<br>bij<br>doorsteekmontage<br>t <sub>d</sub><br>[mm] | Min.<br>verankeringsdiepte<br>h <sub>ef</sub><br>[mm] | Pluglengte<br>l<br>[mm] | Max. nuttige lengte<br>t <sub>fix</sub><br>[mm] | Draad<br>M | Sleutelwijdte |
|-------------|----------|---|------------------|----------------------------------|---|---|-------------------------|---|------------|---------------|
| FAZ II 8/10 | 094871   |   | (B)              | 8                                | 65  | 45  | 75                      | 10  | M 8        | 13            |
| FAZ II 8/30 | 094877   |   | (F)              | 8                                | 85  | 45  | 95                      | 30  | M 8        | 13            |
| FAZ II 8/50 | 094878   |   | (K)              | 8                                | 105   | 45  | 115                     | 50  | M 8        | 13            |

| Type          | Art.-Nr. | <div style="display: inline-block; width: 10px; height: 10px; background-color: #0056b3; margin-right: 5px;"></div> ETA<br><div style="display: inline-block; width: 10px; height: 10px; background-color: #c00000; border-radius: 50%; margin-right: 5px;"></div> DIBt | Markering in kop | Boor-Ø<br>d <sub>o</sub><br>[mm] | Min. boorgatdiepte<br>bij<br>doorsteekmontage<br>t <sub>d</sub><br>[mm] | Min.<br>verankeringsdiepte<br>h <sub>ef</sub><br>[mm] | Pluglengte<br>l<br>[mm] | Max. nuttige lengte<br>t <sub>fix</sub><br>[mm] | Draad<br>M | Sleutelwijdte |
|---------------|----------|---|------------------|----------------------------------|---|---|-------------------------|---|------------|---------------|
| FAZ II 8/100  | 094879   |   | (P)              | 8                                | 155   | 45  | 165                     | 100   | M 8        | 13            |
| FAZ II 8/160  | 503251   |   | (T)              | 8                                | 215   | 45  | 225                     | 160   | M 8        | 13            |
| FAZ II 10/10  | 094981   |   | (B)              | 10                               | 85  | 60  | 95                      | 10  | M 10       | 17            |
| FAZ II 10/20  | 094982   |   | (D)              | 10                               | 95  | 60  | 105                     | 20  | M 10       | 17            |
| FAZ II 10/30  | 094983   |   | (F)              | 10                               | 105   | 60  | 115                     | 30  | M 10       | 17            |
| FAZ II 10/50  | 094984   |   | (K)              | 10                               | 125   | 60  | 135                     | 50  | M 10       | 17            |
| FAZ II 10/80  | 094985   |   | (N)              | 10                               | 155   | 60  | 165                     | 80  | M 10       | 17            |
| FAZ II 10/100 | 094986   |   | (P)              | 10                               | 175   | 60  | 185                     | 100   | M 10       | 17            |
| FAZ II 10/160 | 503252   |   | (T)              | 10                               | 235   | 60  | 245                     | 160   | M 10       | 17            |
| FAZ II 12/10  | 095419   |   | (B)              | 12                               | 100   | 70  | 110                     | 10  | M 12       | 19            |
| FAZ II 12/20  | 095420   |   | (D)              | 12                               | 110   | 70  | 120                     | 20  | M 12       | 19            |
| FAZ II 12/30  | 095421   |   | (F)              | 12                               | 120   | 70  | 130                     | 30  | M 12       | 19            |
| FAZ II 12/50  | 095446   |   | (K)              | 12                               | 140   | 70  | 150                     | 50  | M 12       | 19            |
| FAZ II 12/80  | 095454   |   | (N)              | 12                               | 170   | 70  | 180                     | 80  | M 12       | 19            |
| FAZ II 12/100 | 095470   |   | (P)              | 12                               | 190   | 70  | 200                     | 100   | M 12       | 19            |
| FAZ II 12/160 | 503253   |   | (T)              | 12                               | 250   | 70  | 260                     | 160   | M 12       | 19            |
| FAZ II 12/200 | 095605   |   | (V)              | 12                               | 290   | 70  | 300                     | 200   | M 12       | 19            |
| FAZ II 16/25  | 095836   |   | (E)              | 16                               | 135   | 85  | 148                     | 25  | M 16       | 24            |
| FAZ II 16/50  | 095864   |   | (K)              | 16                               | 160   | 85  | 173                     | 50  | M 16       | 24            |
| FAZ II 16/100 | 095865   |   | (P)              | 16                               | 210   | 85  | 223                     | 100   | M 16       | 24            |
| FAZ II 16/160 | 503254   |   | (T)              | 16                               | 270   | 85  | 283                     | 160   | M 16       | 24            |
| FAZ II 16/200 | 095967   |   | (V)              | 16                               | 315   | 85  | 323                     | 200   | M 16       | 24            |
| FAZ II 16/250 | 095968   |   | (W)              | 16                               | 365   | 85  | 373                     | 250   | M 16       | 24            |
| FAZ II 16/300 | 096188   |   | (X)              | 16                               | 410   | 85  | 423                     | 300   | M 16       | 24            |
| FAZ II 20/30  | 046632   |   | (F)              | 20                               | 155   | 100   | 172                     | 30  | M 20       | 30            |
| FAZ II 20/60  | 046633   |   | (L)              | 20                               | 185   | 100   | 202                     | 60  | M 20       | 30            |
| FAZ II 20/160 | 503255   |   | (T)              | 20                               | 285   | 100   | 302                     | 160   | M 20       | 30            |
| FAZ II 24/30  | 046635   |   | (F)              | 24                               | 185   | 125   | 205                     | 30  | M 24       | 36            |
| FAZ II 24/60  | 046636   |   | (L)              | 24                               | 215   | 125   | 235                     | 60  | M 24       | 36            |

| Type             | Art.-Nr. | <div style="display: inline-block; width: 10px; height: 10px; background-color: blue; margin-right: 5px;"></div> ETA<br><div style="display: inline-block; width: 10px; height: 10px; background-color: red; border-radius: 50%; margin-right: 5px;"></div> DIBt | Markering in kop | Boor-Ø<br>d <sub>o</sub><br>[mm] | Min. boorgatdiepte<br>bij<br>doorsteekmontage<br>t <sub>d</sub><br>[mm] | Min.<br>verankeringsdiepte<br>h <sub>ef</sub><br>[mm] | Pluglengte<br>l<br>[mm] | Max. nuttige lengte<br>t <sub>fix</sub><br>[mm] | Draad<br>M | Sleutelwijdte |
|------------------|----------|--|------------------|----------------------------------|---|---|-------------------------|---|------------|---------------|
| FAZ II 8/10 GS   | 094872   |  | (B)              | 8                                | 65  | 45  | 75                      | 10  | M 8 x 21   | 13            |
| FAZ II 8/30 GS   | 096189   |  | (F)              | 8                                | 85  | 45  | 95                      | 30  | M 8 x 41   | 13            |
| FAZ II 10/10 GS  | 096291   |  | (B)              | 10                               | 85  | 60  | 95                      | 10  | M 10 x 24  | 17            |
| FAZ II 10/30 GS  | 096297   |  | (F)              | 10                               | 105   | 60  | 115                     | 30  | M 10 x 44  | 17            |
| FAZ II 12/10 GS  | 096303   |  | (B)              | 12                               | 100   | 70  | 110                     | 10  | M 12 x 27  | 19            |
| FAZ II 12/20 GS  | 502530   |  | (D)              | 12                               | 115   | 70  | 120                     | 20  | -          | 19            |
| FAZ II 12/30 GS  | 096340   |  | (F)              | 12                               | 120   | 70  | 130                     | 30  | M 12 x 47  | 19            |
| FAZ II 12/50 GS  | 502531   |  | (K)              | 12                               | 145   | 70  | 150                     | 50  | M 12 x 67  | 19            |
| FAZ II 12/100 GS | 502532   |  | (P)              | 12                               | 195   | 70  | 200                     | 100   | M 12 x 100 | 19            |
| FAZ II 12/120 GS | 096367   |  | (R)              | 12                               | 210   | 70  | 220                     | 120   | M 12 x 100 | 19            |
| FAZ II 16/160 GS | 503261   |  | (T)              | 16                               | 270   | 85  | 283                     | 160   | M 16 x 100 | 24            |
| FAZ II 16/200 GS | 096370   |  | (V)              | 16                               | 310   | 85  | 323                     | 200   | M 16 x 100 | 24            |

## Hoog corrosiewerend staal, corrosieweerstandsklasse IV

| Type           | Art.-Nr. | <div style="display: flex; align-items: center; gap: 5px;"> <span style="color: blue;">■</span> ETA           <span style="color: red;">●</span> DIBt         </div> | Markering in kop | Boor-Ø<br>d <sub>o</sub><br>[mm] | Min. boorgatdiepte<br>bij<br>doorsteekmontage<br>t <sub>d</sub><br>[mm] | Min.<br>verankeringsdiepte<br>h <sub>ef</sub><br>[mm] | Pluglengte<br>l<br>[mm] | Max. nuttige lengte<br>t <sub>fix</sub><br>[mm] | Draad<br>M | Sleutelwijdte |
|----------------|----------|--|------------------|----------------------------------|---|---|-------------------------|---|------------|---------------|
| FAZ II 8/10 C  | 501428   |  | (B)              | 8                                | 65  | 45  | 75                      | 10  | -          | 13            |
| FAZ II 8/30 C  | 501429   |  | (F)              | 8                                | 85  | 45  | 95                      | 30  | -          | 13            |
| FAZ II 10/10 C | 501430   |  | (B)              | 10                               | 86  | 60  | 95                      | 10  | -          | 17            |
| FAZ II 10/30 C | 503185   |  | (F)              | 10                               | 105   | 60  | 115                     | 30  | -          | 17            |
| FAZ II 12/10 C | 503186   |  | (B)              | 12                               | 100   | 70  | 110                     | 10  | -          | 19            |
| FAZ II 12/30 C | 501431   |  | (F)              | 12                               | 120   | 70  | 130                     | 30  | -          | 19            |
| FAZ II 16/25 C | 501432   |  | (E)              | 16                               | 135   | 85  | 148                     | 25  | -          | 24            |
| FAZ II 16/50 C | 503187   |  | (K)              | 16                               | 160   | 85  | 173                     | 50  | -          | 24            |



## Roestvast staal A4, corrosieweerstandsklasse III

| Type             | Art.-Nr. | <div style="display: flex; align-items: center; gap: 5px;"> <span style="color: blue;">■</span> ETA           <span style="color: red;">●</span> DIBt         </div> | Markering in kop | Boor-Ø<br>d <sub>o</sub><br>[mm] | Min. boorgatdiepte<br>bij<br>doorsteekmontage<br>t <sub>d</sub><br>[mm] | Min.<br>verankeringdiepte<br>h <sub>ef</sub><br>[mm] | Pluglengte<br>l<br>[mm] | Max. nuttige lengte<br>t <sub>fix</sub><br>[mm] | Draad<br>M | Sleutelwijdte |
|------------------|----------|--|------------------|----------------------------------|---|--|-------------------------|---|------------|---------------|
| FAZ II 8/10 A4   | 501396   |  | (B)              | 8                                | 65  | 45   | 75                      | 10  | -          | 13            |
| FAZ II 8/30 A4   | 501399   |  | (F)              | 8                                | 85  | 45   | 95                      | 30  | -          | 13            |
| FAZ II 8/50 A4   | 501401   |  | (K)              | 8                                | 105   | 45   | 115                     | 50  | -          | 13            |
| FAZ II 10/10 A4  | 501403   |  | (B)              | 10                               | 85  | 60   | 95                      | 10  | -          | 17            |
| FAZ II 10/20 A4  | 501406   |  | (D)              | 10                               | 95  | 60   | 105                     | 20  | -          | 17            |
| FAZ II 10/30 A4  | 501407   |  | (F)              | 10                               | 105   | 60   | 115                     | 30  | -          | 17            |
| FAZ II 10/50 A4  | 501409   |  | (K)              | 10                               | 125   | 60   | 135                     | 50  | -          | 17            |
| FAZ II 10/70 A4  | 501410   |  | (M)              | 10                               | 145   | 60   | 155                     | 70  | -          | 17            |
| FAZ II 10/100 A4 | 501411   |  | (P)              | 10                               | 175   | 60   | 185                     | 100   | -          | 17            |
| FAZ II 10/160 A4 | 501412   |  | (T)              | 10                               | 235   | 60   | 245                     | 160   | -          | 17            |
| FAZ II 12/10 A4  | 501413   |  | (B)              | 12                               | 100   | 70   | 110                     | 10  | -          | 19            |
| FAZ II 12/20 A4  | 501415   |  | (D)              | 12                               | 110   | 70   | 120                     | 20  | -          | 19            |
| FAZ II 12/30 A4  | 501416   |  | (F)              | 12                               | 120   | 70   | 130                     | 30  | -          | 19            |
| FAZ II 12/50 A4  | 501419   |  | (K)              | 12                               | 140   | 70   | 150                     | 50  | -          | 19            |
| FAZ II 12/60 A4  | 501420   |  | (L)              | 12                               | 150   | 70   | 160                     | 60  | -          | 19            |
| FAZ II 12/100 A4 | 501421   |  | (P)              | 12                               | 190   | 70   | 200                     | 100   | -          | 19            |
| FAZ II 12/160 A4 | 503180   |  | (T)              | 12                               | 250   | 70   | 260                     | 160   | -          | 19            |
| FAZ II 16/25 A4  | 501423   |  | (E)              | 16                               | 135   | 85   | 148                     | 25  | -          | 24            |

| Type                | Art.-Nr. | <div style="display: inline-block; width: 10px; height: 10px; background-color: blue; margin-right: 5px;"></div> ETA<br><div style="display: inline-block; width: 10px; height: 10px; background-color: red; border-radius: 50%; margin-right: 5px;"></div> DIBt | Markering in kop | Boor-Ø<br>d <sub>o</sub><br>[mm] | Min. boorgatdiepte<br>bij<br>doorsteekmontage<br>t <sub>d</sub><br>[mm] | Min.<br>verankeringsdiepte<br>h <sub>ef</sub><br>[mm] | Pluglengte<br>l<br>[mm] | Max. nuttige lengte<br>t <sub>fix</sub><br>[mm] | Draad<br>M | Sleutelwijdte |
|---------------------|----------|--|------------------|----------------------------------|---|---|-------------------------|---|------------|---------------|
| FAZ II 16/50 A4     | 501424   |  | (K)              | 16                               | 160   | 85  | 173                     | 50  | -          | 24            |
| FAZ II 16/100 A4    | 501425   |  | (P)              | 16                               | 210   | 85  | 223                     | 100   | -          | 24            |
| FAZ II 20/30 A4     | 501426   |  | (F)              | 20                               | 155   | 100   | 172                     | 30  | -          | 30            |
| FAZ II 20/60 A4     | 503183   |  | (L)              | 20                               | 185   | 100   | 202                     | 60  | -          | 30            |
| FAZ II 24/30 A4     | 501427   |  | (F)              | 24                               | 185   | 125   | 205                     | 30  | -          | 36            |
| FAZ II 24/60 A4     | 503184   |  | (L)              | 24                               | 215   | 125   | 235                     | 60  | -          | 36            |
| FAZ II 8/10 GS A4   | 501398   |  | (B)              | 8                                | 65  | 45  | 75                      | 10  | -          | 13            |
| FAZ II 8/30 GS A4   | 501400   |  | (F)              | 8                                | 85  | 45  | 95                      | 30  | -          | 13            |
| FAZ II 10/10 GS A4  | 501405   |  | (B)              | 10                               | 85  | 60  | 95                      | 10  | -          | 17            |
| FAZ II 10/30 GS A4  | 501408   |  | (F)              | 10                               | 105   | 60  | 115                     | 30  | -          | 17            |
| FAZ II 12/10 GS A4  | 501414   |  | (B)              | 12                               | 100   | 70  | 110                     | 10  | -          | 19            |
| FAZ II 12/30 GS A4  | 501418   |  | (F)              | 12                               | 120   | 70  | 130                     | 30  | -          | 19            |
| FAZ II 12/160 GS A4 | 503181   |  | (T)              | 12                               | 250   | 70  | 260                     | 160   | -          | 19            |
| FAZ II 16/160 GS A4 | 503182   |  | (T)              | 16                               | 270   | 85  | 283                     | 160   | -          | 24            |
| FAZ II 10/10 A4 E   | 091545   | -  | -                | 10                               | 90  | 60  | 93                      | 10  | M 10       | 17            |
| FAZ II 12/10 A4 E   | 091546   | -  | -                | 12                               | 115   | 70  | 108                     | 10  | M 12       | 19            |
| FAZ 10/70 A4        | 096796   |  | -                | 10                               | 150   | 60  | 153                     | 70  | M 10       | 17            |